

Track System Specification

# M15FD

— MagTrack 15 series



## 【Basic Parameters】

- Material: AL6063-T5, spraying surface
- Coating: Black/White
- Length: 300mm/600mm optional
- IP grade: IP20
- CCT: 3000/4000K optional
- CRI: 90
- SDCM(Whole Luminaire): <5 Step (ANSI)
- SDCM(Light source): <3 Step (ANSI)
- Input voltage: DC48V
- Working temperature: -15 C ~35 C
- Lighting direction: Downward
- Dimming method: Non-dimming
- Application: Indoor
- Certification: CE, ROHS, Reach
- Warranty: 3 years



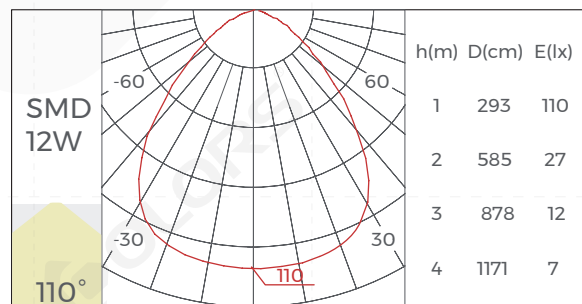
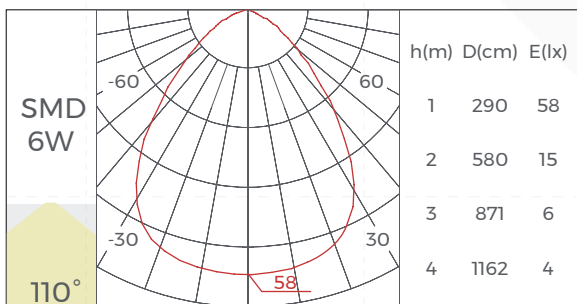
## 【Luminaire Parameters】

Version	Model	Length	Input Voltage (V)	Max. Current (A)	Type Power (W)	Max. Power (W)	CRI	Beam Angle	CCT	Lumen (LM)
Normal	M15FD	300mm [0.98ft]	48VDC	0.125 [0.13A/ft]	6.0 [6.12W/ft]	6.3 [6.43W/ft]	>90	110°	3000K	168 [171LM/ft]
				0.25 [0.13A/ft]	12.0 [6.09W/ft]	12.5 [6.35W/ft]			4000K	180 [184LM/ft]
		600mm [1.97ft]		3000K	336 [171LM/ft]					
				4000K	360 [183LM/ft]					

Note:

1. The output data is based on the testing result of Ra90,3000K luminaires;
2. The tolerance of output data can be vary up to 10%;
3. The output data is typical value.

## 【Optical Parameter】





## **[Packing]**

<b>Model</b>	<b>Size (mm/box)</b>	<b>Quantity /box</b>	<b>Quantity /carton</b>	<b>NW (kg/box)</b>	<b>NW (kg/carton)</b>	<b>CW (kg/carton)</b>	<b>Size (mm/carton)</b>
TLS-M15FD0300-N930B6	60*45*340 [2.36**1.57**13.39"]	1	30	0.07	2.1	4.1	355*325*295 [13.98**12.8**11.61"]
TLS-M15FD0600-N930B12	60*45*640 [2.36**1.57**25.2"]	1	30	0.12	3.6	5.6	655*325*295 [25.79**12.8**11.61"]

## **[Attentions]**

- 1、 Non-professionals are prohibited from installing, disassembling and repairing the product.
- 2、 Avoid scratching, distortion and irregular bending of the product during installation; otherwise it may cause irreparable damage to the product.
- 3、 Please use professional cutting tools when cutting
- 4、 Do not use any acid or alkaline adhesive to fix products
- 5、 The product is only suitable for indoor dry places, can not be used in outdoor, seaside or wet environment.
- 6、 PC features: Each 10°C rise or drop will make diffuser extend or shrink 0.8mm/m, please confirm before processing and use